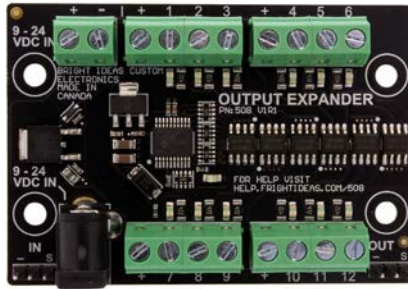




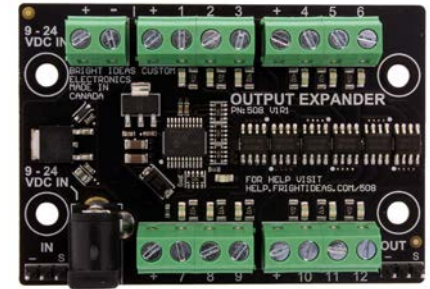
## Quick-Start Guide Output Expander

PN: 508



## Quick-Start Guide Output Expander

PN: 508



### EscapeKeeper Setup



You may need to update your EscapeKeeper's firmware before you can use this board. Firmware version 2.13 or higher is required.

The latest firmware and full manual can always be downloaded at:

[help.frightideas.com/504](http://help.frightideas.com/504)

#### Initial Setup

Once your firmware is updated, you will need to go through the initial setup to select your puzzle mode and other puzzle options if you haven't already. Then you'll have to enter the Indication Menu to select how you'd like to use this board. Please see the *Indication Options in Depth* and *Selecting Indication Options* sections in the full manual available at the link above for those instructions.

#### Compatibility

This product is compatible with the 2018 model EscapeKeeper as long as it has the latest firmware. It should have the AUX connector next to output 3. It will not work with the EscapeKeeper JR or earlier EscapeKeepers.

#### Output Usage

Please note that these outputs cannot be used for animation. They can be used to indicate internal states such as game progress, game timers, inputs, clues, etc. See the full manual above for more information.

#### Output Ratings

Each output is rated for 1.5 amps. The total current the board can handle is 5 amps if powered by the barrel connector, or 10 amps if powered from the terminal block power input.

### EscapeKeeper Setup



You may need to update your EscapeKeeper's firmware before you can use this board. Firmware version 2.13 or higher is required.

The latest firmware and full manual can always be downloaded at:

[help.frightideas.com/504](http://help.frightideas.com/504)

#### Initial Setup

Once your firmware is updated, you will need to go through the initial setup to select your puzzle mode and other puzzle options if you haven't already. Then you'll have to enter the Indication Menu to select how you'd like to use this board. Please see the *Indication Options in Depth* and *Selecting Indication Options* sections in the full manual available at the link above for those instructions.

#### Compatibility

This product is compatible with the 2018 model EscapeKeeper as long as it has the latest firmware. It should have the AUX connector next to output 3. It will not work with the EscapeKeeper JR or earlier EscapeKeepers.

#### Output Usage

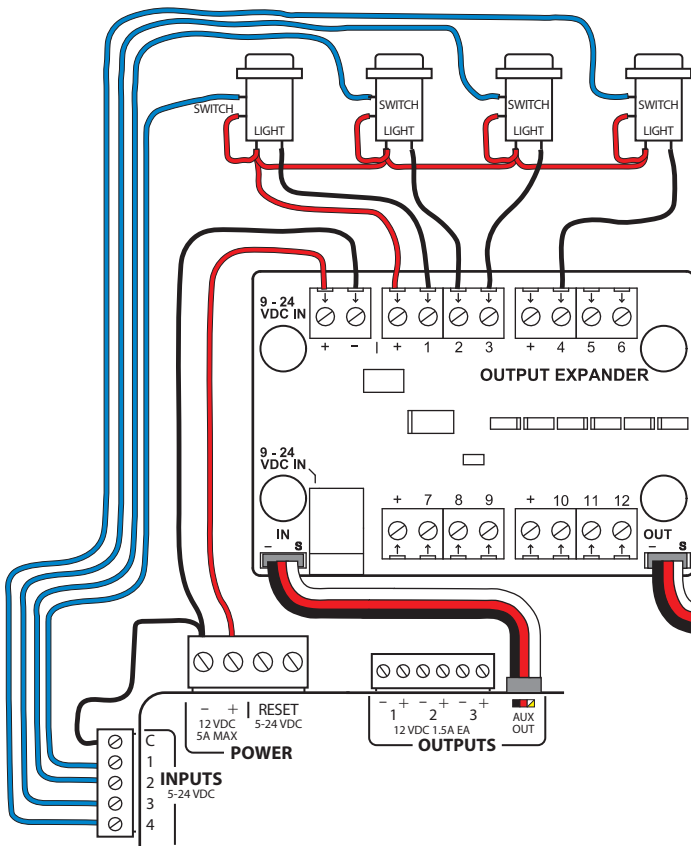
Please note that these outputs cannot be used for animation. They can be used to indicate internal states such as game progress, game timers, inputs, clues, etc. See the full manual above for more information.

#### Output Ratings

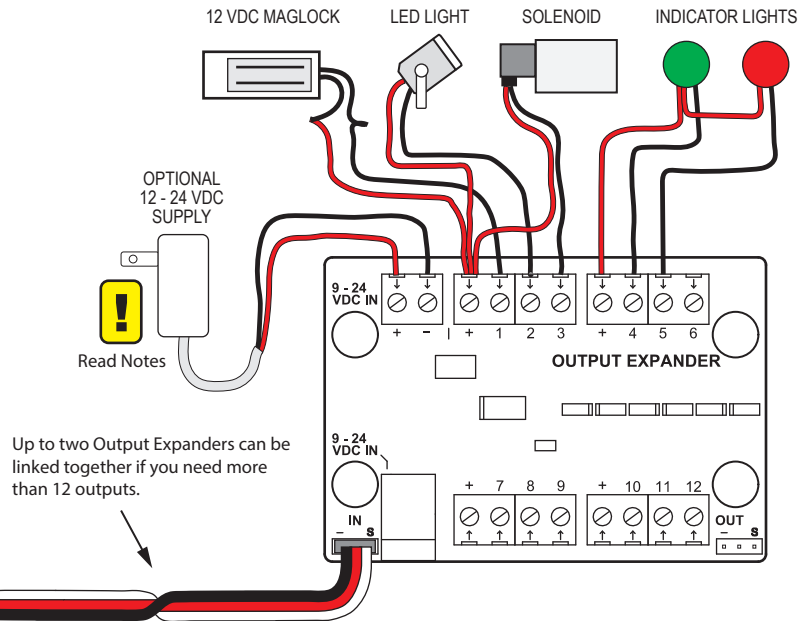
Each output is rated for 1.5 amps. The total current the board can handle is 5 amps if powered by the barrel connector, or 10 amps if powered from the terminal block power input.

# Wiring Diagrams

TYPICAL SIMON SAYS SETUP



VARIOUS DEVICES

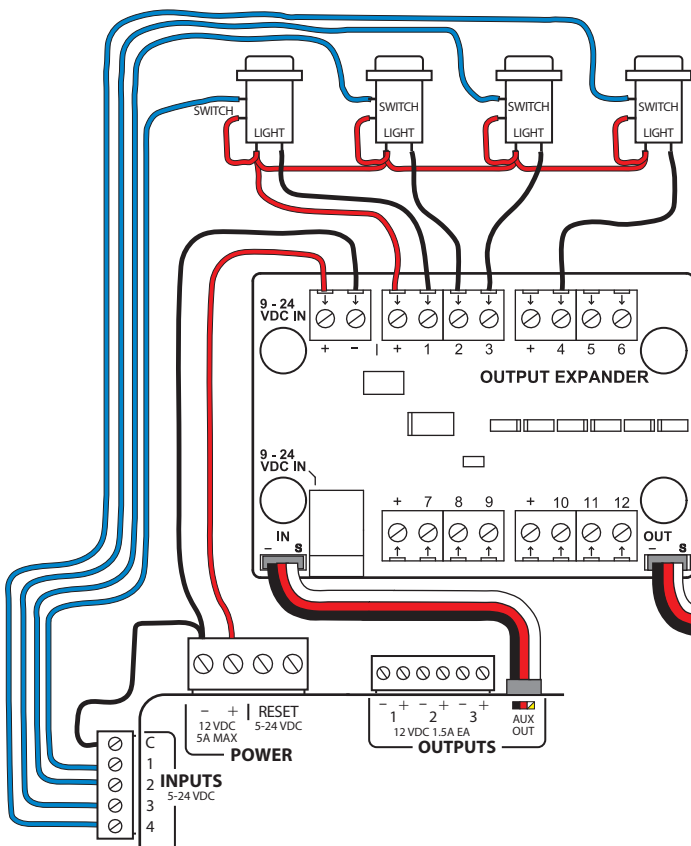


**NOTES:** Each output is rated for 1.5 amps maximum. The total current of all outputs together must be 5 amps or less if powered from the barrel connector, or 10 amps if powered from the terminal block

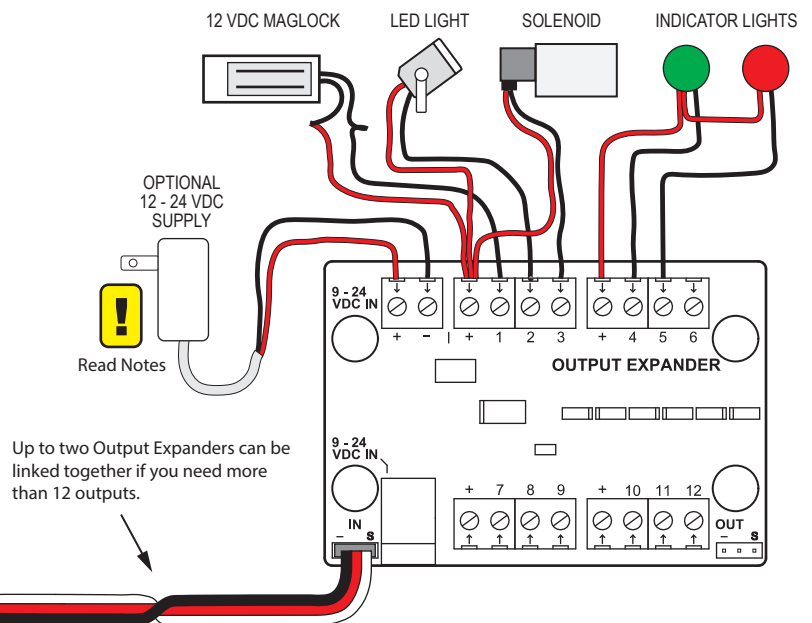
The voltage powering the Output Expander is the voltage that will come out of the outputs. Make sure your output devices are rated for that voltage. A separate power supply can be used if you need 24 volts, prefer to keep the EscapeKeeper on a separate power supply, or if the EscapeKeeper's power supply isn't large enough to power everything.

# Wiring Diagrams

TYPICAL SIMON SAYS SETUP



VARIOUS DEVICES



**NOTES:** Each output is rated for 1.5 amps maximum. The total current of all outputs together must be 5 amps or less if powered from the barrel connector, or 10 amps if powered from the terminal block

The voltage powering the Output Expander is the voltage that will come out of the outputs. Make sure your output devices are rated for that voltage. A separate power supply can be used if you need 24 volts, prefer to keep the EscapeKeeper on a separate power supply, or if the EscapeKeeper's power supply isn't large enough to power everything.