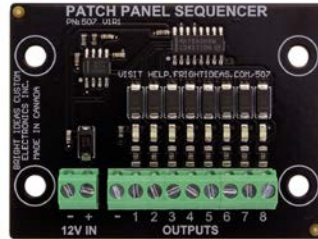




Quick-Start Guide

Patch Panel Sequencer

PN: 507



EscapeKeeper Setup



You may need to update your EscapeKeeper's firmware to get the Patch Panel puzzle mode. Firmware version 2.14 or higher is required.

The latest firmware and full manual can always be downloaded at:

EscapeKeeper JR: help.frightideas.com/503

EscapeKeeper: help.frightideas.com/504

Initial Setup

Once your firmware is updated, you will need to go through the initial setup to select the Patch Panel puzzle mode and other puzzle options. Please see the setup instructions in the full manual available at the link above for those instructions.

Compatibility

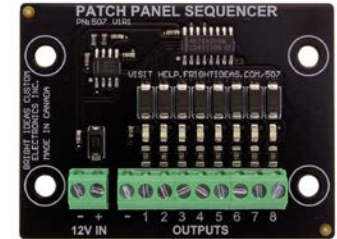
This product is compatible with all versions of the EscapeKeeper JR and EscapeKeeper, as long as the firmware is at version 2.14 or higher.



Quick-Start Guide

Patch Panel Sequencer

PN: 507



EscapeKeeper Setup



You may need to update your EscapeKeeper's firmware to get the Patch Panel puzzle mode. Firmware version 2.14 or higher is required.

The latest firmware and full manual can always be downloaded at:

EscapeKeeper JR: help.frightideas.com/503

EscapeKeeper: help.frightideas.com/504

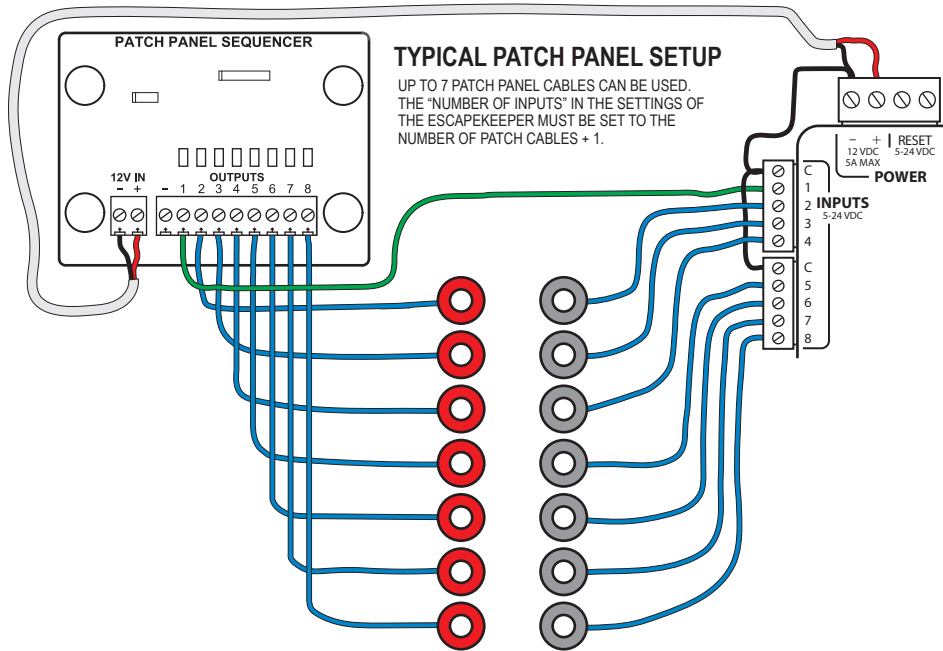
Initial Setup

Once your firmware is updated, you will need to go through the initial setup to select the Patch Panel puzzle mode and other puzzle options. Please see the setup instructions in the full manual available at the link above for those instructions.

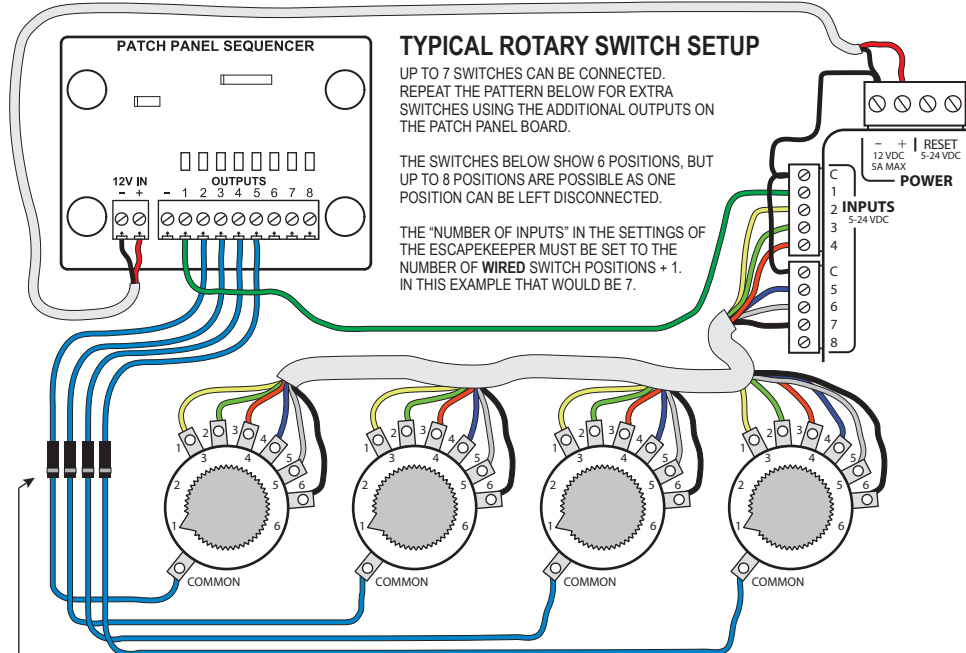
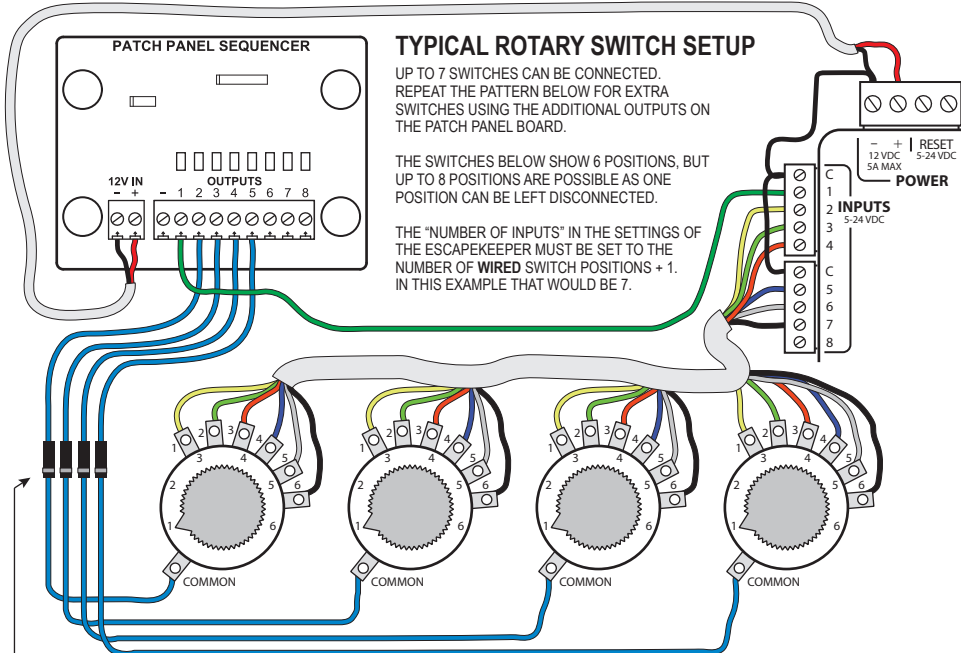
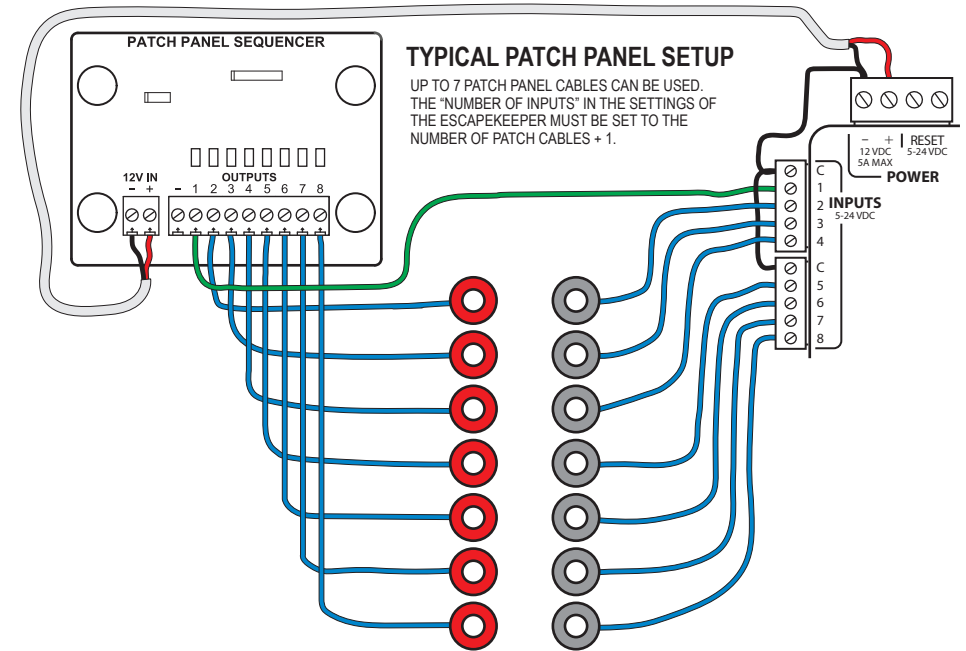
Compatibility

This product is compatible with all versions of the EscapeKeeper JR and EscapeKeeper, as long as the firmware is at version 2.14 or higher.

Wiring Diagrams



Wiring Diagrams



DIODES MUST BE INSTALLED HERE IF YOU WANT THE ABILITY FOR ANY TWO KNOBS TO BE IN THE SAME POSITION FOR THE SOLUTION. FOR EXAMPLE, IF YOU WANT THE SOLUTION TO BE 1,2,3,1, YOU WOULD NEED DIODES. IF YOU ARE OK WITH 1,4,3,2 OR 4,2,1,3, ETC. THEN YOU DON'T NEED THEM.

DIODES MUST BE INSTALLED HERE IF YOU WANT THE ABILITY FOR ANY TWO KNOBS TO BE IN THE SAME POSITION FOR THE SOLUTION. FOR EXAMPLE, IF YOU WANT THE SOLUTION TO BE 1,2,3,1, YOU WOULD NEED DIODES. IF YOU ARE OK WITH 1,4,3,2 OR 4,2,1,3, ETC. THEN YOU DON'T NEED THEM.